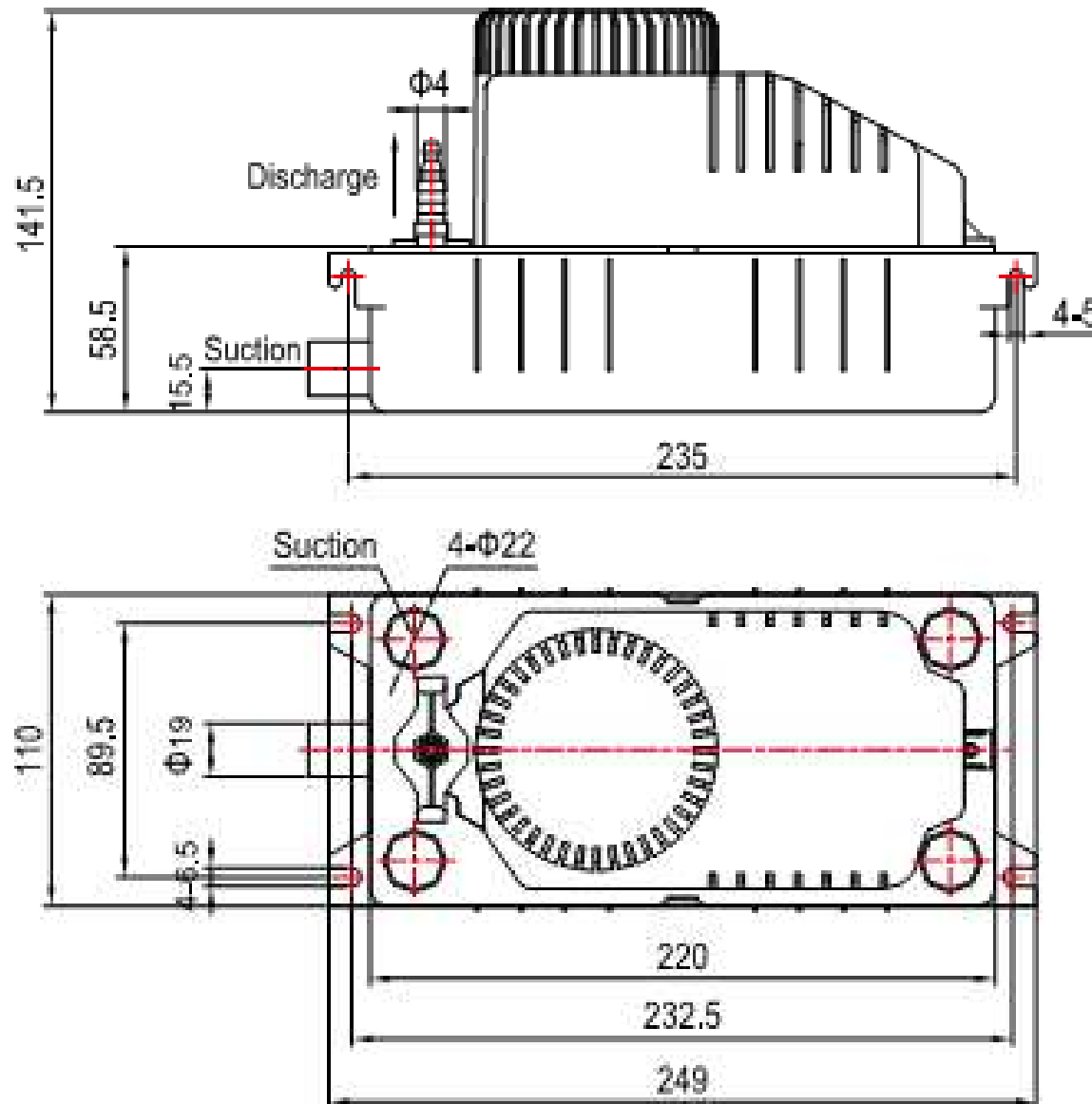


DH 751 – PUMP MOUNTING INSTRUCTIONS



DIMENSIONS OF CONDENSATE EXTRACTION PUMP



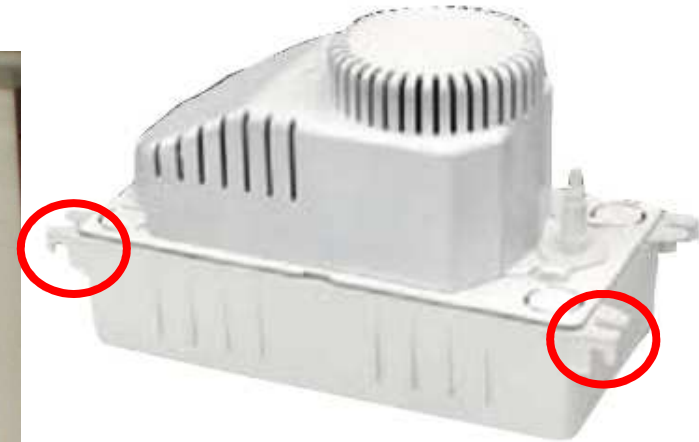
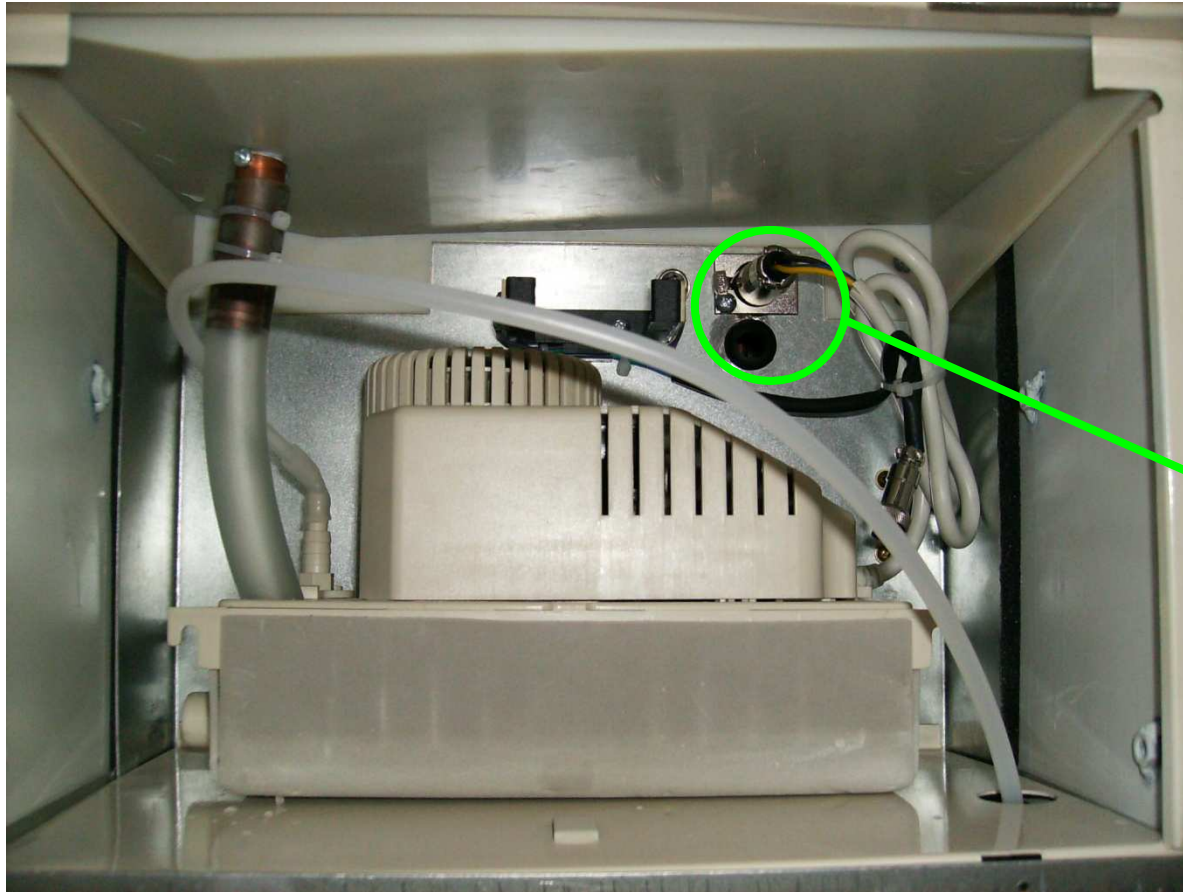
Technical parameters of pump



Power	70 W
Rated current	600 mA
Max. capacity	180 l / h

Max. height of pumping	4 m
Max. length of duct offtaking the condensates	10 m
Diameter of duct offtaking the condensates	4 mm
Pump starts to work when the volume of water is:	0,5 l

Mounting the pump



- Screw in 2 bolts
- Stick in the plug

THANK YOU FOR ATTENTION